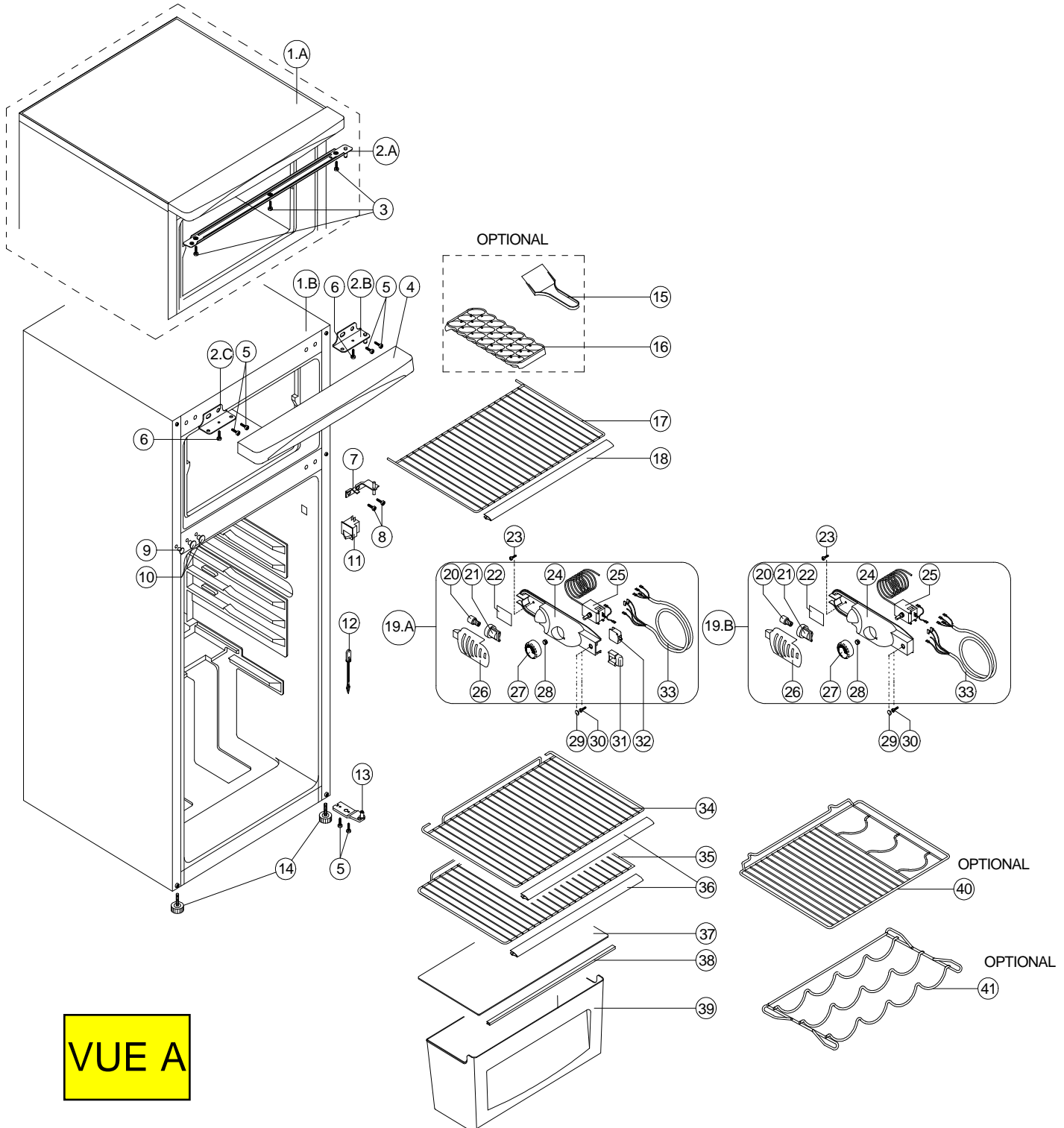


With Plastic Top Table

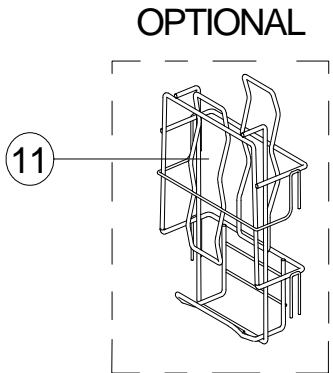


VUE A

Note :

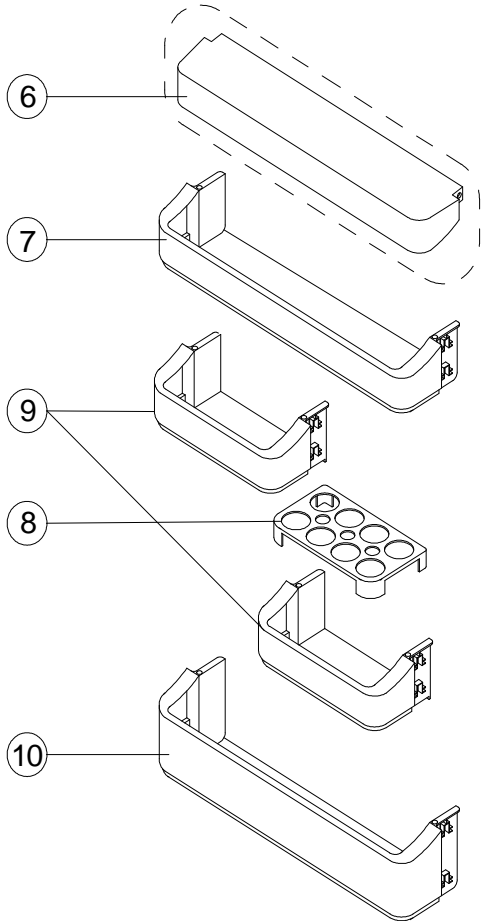
*** Thermostat Box Assy/150 (19.A) is used for products that are produced before 06.11.2002

*** Thermostat Box Assy/150 (Switch) (19.B) is used for products that are produced after 06.11.2002



11

OPTIONAL



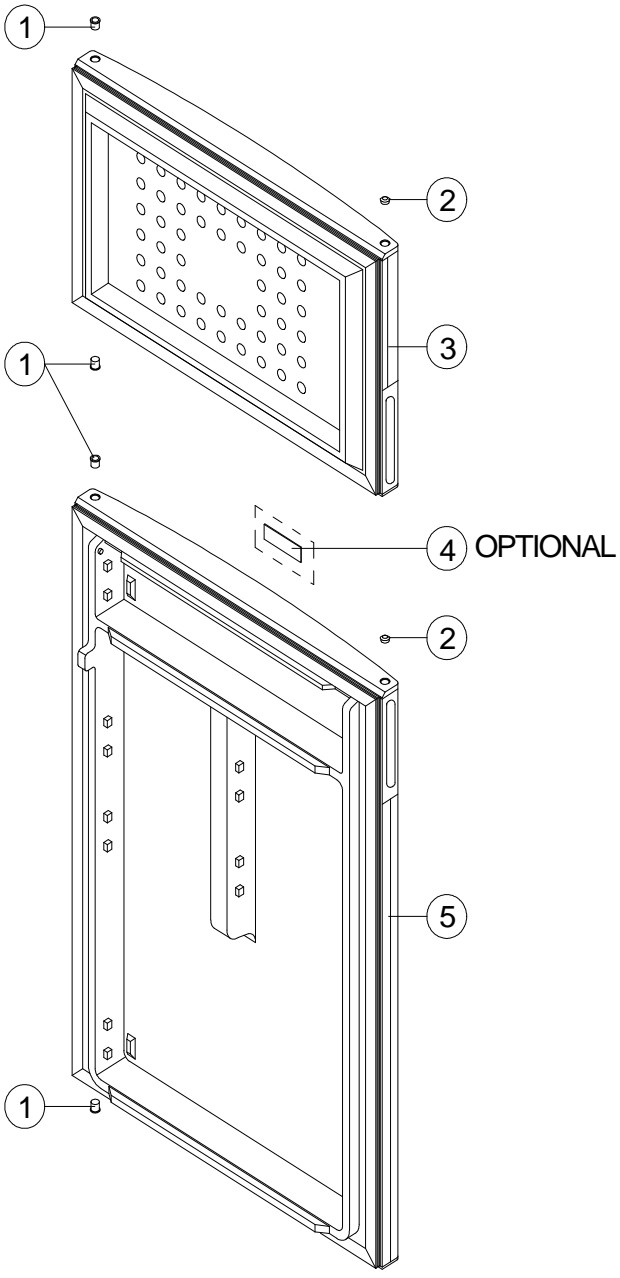
6

7

9

8

10



1

2

3

1

4

OPTIONAL

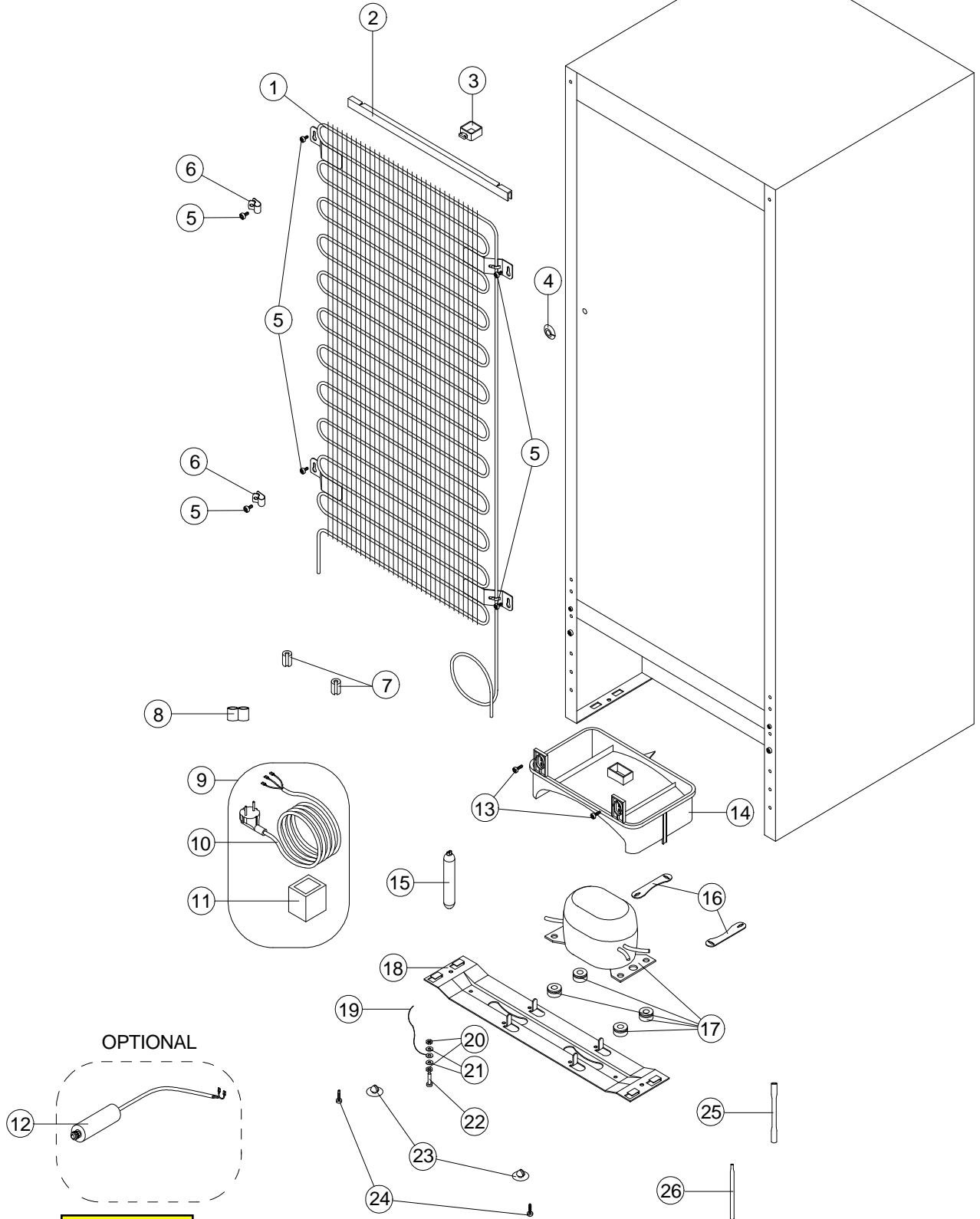
2

5

1

VUE B

OPTIONAL



VUE C